



VIL Multi Filter Housing

- industrial multi liquid

- Multi-element industrial liquid housing
- Laboratory and pilot scale to large industrial applications
- Flow efficient design with low pressure drop



Specification

Materials of Construction

- Housing: 316L Stainless Steel
- Seals: EPDM

Surface Finish

- Internal / External:
 - DOE Economy: As fabricated then pickled to remove weld discolouration
 - DOE Standard: As fabricated then electropolished
 - P-7 (226) o-ring: As fabricated then electropolished

Design Code

Housings designed in accordance with the European Council Pressure Equipment Directive (PED) 97/23/EC and the UK statutory Pressure Equipment Regulations (PER) 1999 N° 2001.

Design Basis

ASME VIII Division 1.

Custom Design

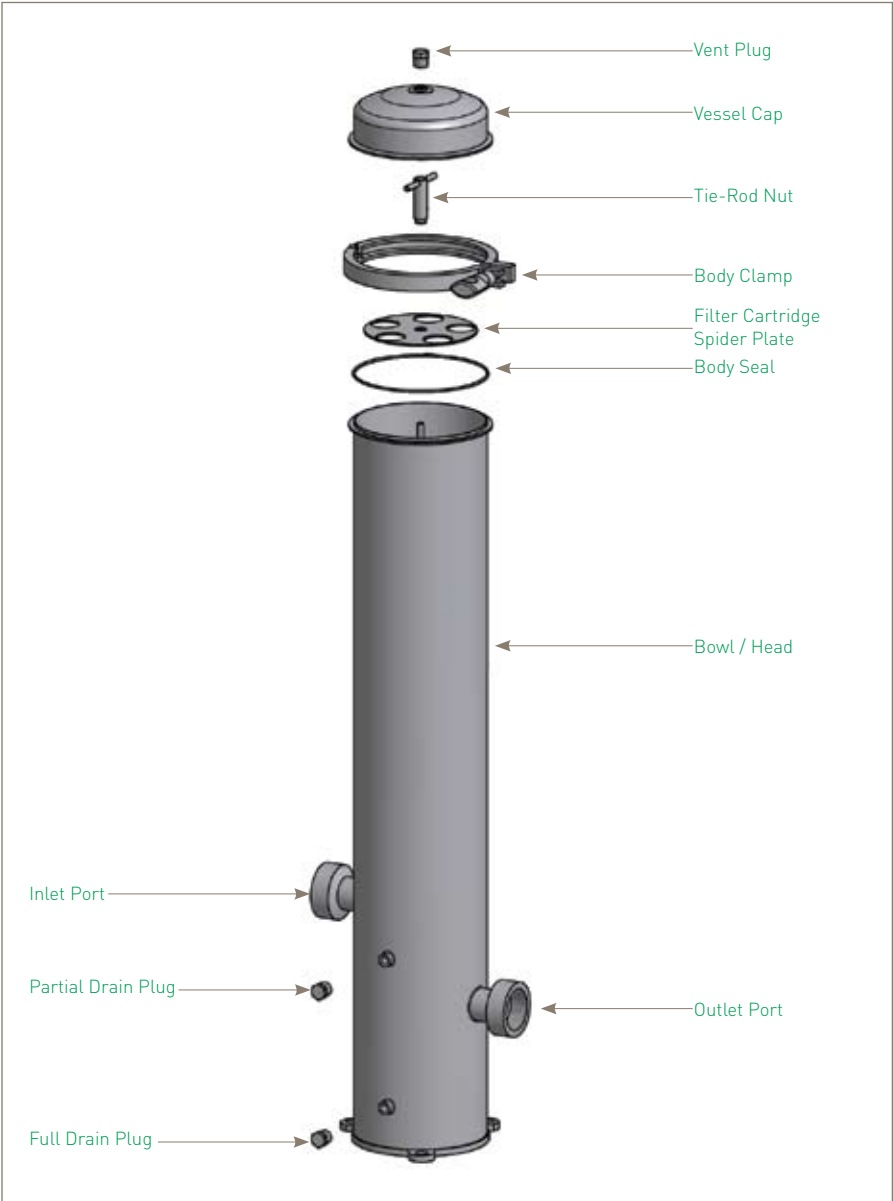
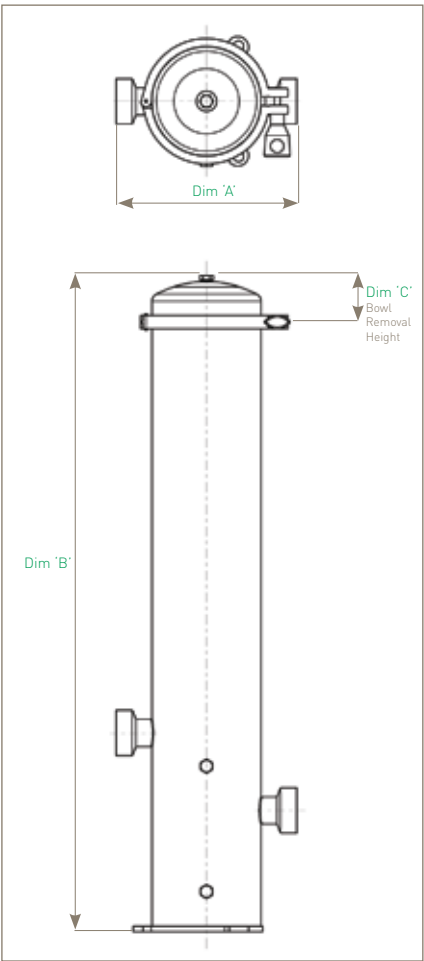
Parker domnick hunter offers a specialist and fabrication service allowing individual customer system specifications to be met.

Working Condition PED 97/23/EC			Maximum Pressure			
Fluid Group	State	Temperature	3 / 5 Round	8 Round	12 Round	
Non Dangerous	Liquids	80 °C (176 °F)	10.00 barg (145.00 psig)	8.50 barg (123.00 psig)	6.00 barg (87.00 psig)	
PED Conformity Assessment Category			SEP	SEP	SEP	
Volume (litres)			031	032	033	
			14.0	19.0	24.0	
			051	052	053	054
			20.0	28.0	36.0	44.0
			082	083	084	
			70.0	87.0	104.0	
			122	123	124	
98.0	122.0	146.0				

Physical Characteristics

Type	Dimensions (mm)			Typical Weight (Kg)
	'A'	'B'	'C'	
10" (250 mm)	222	720	70	14.0
20" (500 mm)	222	970	70	16.0
30" (750 mm)	222	1220	70	18.0
40" (1000 mm)	222	1470	70	20.0

Dimensions shown are for a 3 Round VIL, 2" BSPP inlet / outlet connections. For the full range of dimensions and weights, please contact Parker domnick hunter.



Ordering Information

VIL										
Code Vessel Class	Code N° of Cartridges	Code Length (Nominal)	Code Connection Size	Code Connection Type	Code Connection Style	Code Seals	Code Surface Finish	Code Flange Type*	Code Cartridge Length (dh standard)	
CE Standard	03 3 05 5 08 8 12 12	1 10" (250 mm) 2 20" (500 mm) 3 30" (750 mm) 4 40" (1000 mm)	C 2" D 3" E 4"	B BSPP Female F Flanged N NPT Female	B DOE C P-7	E EPDM P*** PTFE S Silicone V Viton	E Electropolished P** Pickled	15 ANSI cl. 150 45 BS4504	S Stimline L 10", 20", 30", 40"	

Note: For accessories, i.e. gauges, please contact Parker domnick hunter - Process Division for full availability.

Note: * Only applicable for housings with flange connection type
 ** Pickled finish option only available for DOE housings
 *** PTFE seal option requires flanged closure

Parker domnick hunter has a continuous policy of product development and although the Company reserves the right to change specifications, it attempts to keep customers informed of any alterations. This publication is for general information only and customers are requested to contact our Process Filtration Sales Department for detailed information and advice on a products suitability for specific applications. All products are sold subject to the company's Standard conditions of sale.